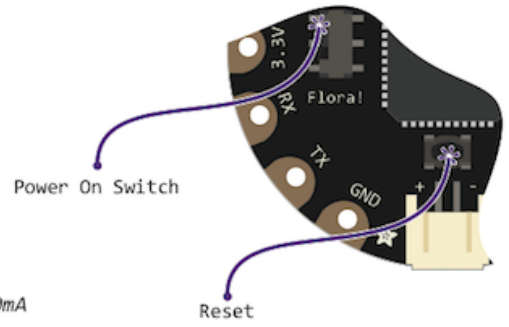


adafruit

FLORA

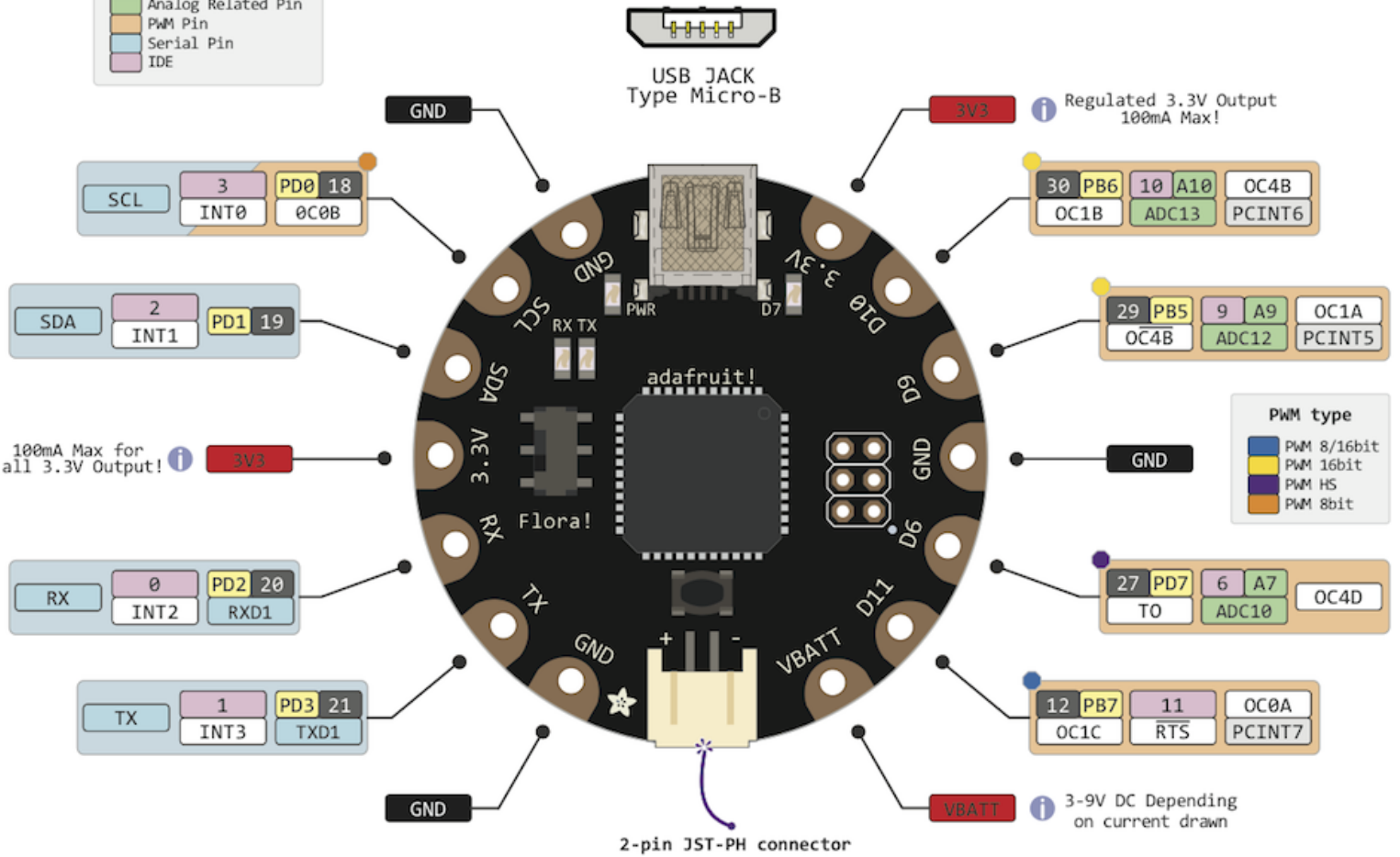
PINOUT DIAGRAM



- GND
- Power
- Control
- Physical Pin
- Port Pin
- Pin Function
- Digital Pin
- Analog Related Pin
- PWM Pin
- Serial Pin
- IDE

⚠ Absolute max per pin 40mA recommended 20mA

⚡ Absolute max 200mA for entire package



<http://www.adafruit.com/products/659>

